

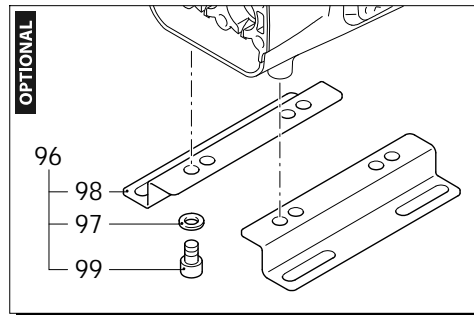
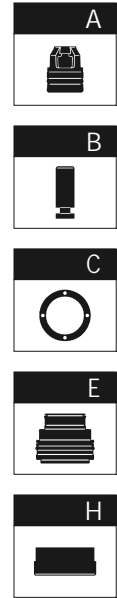
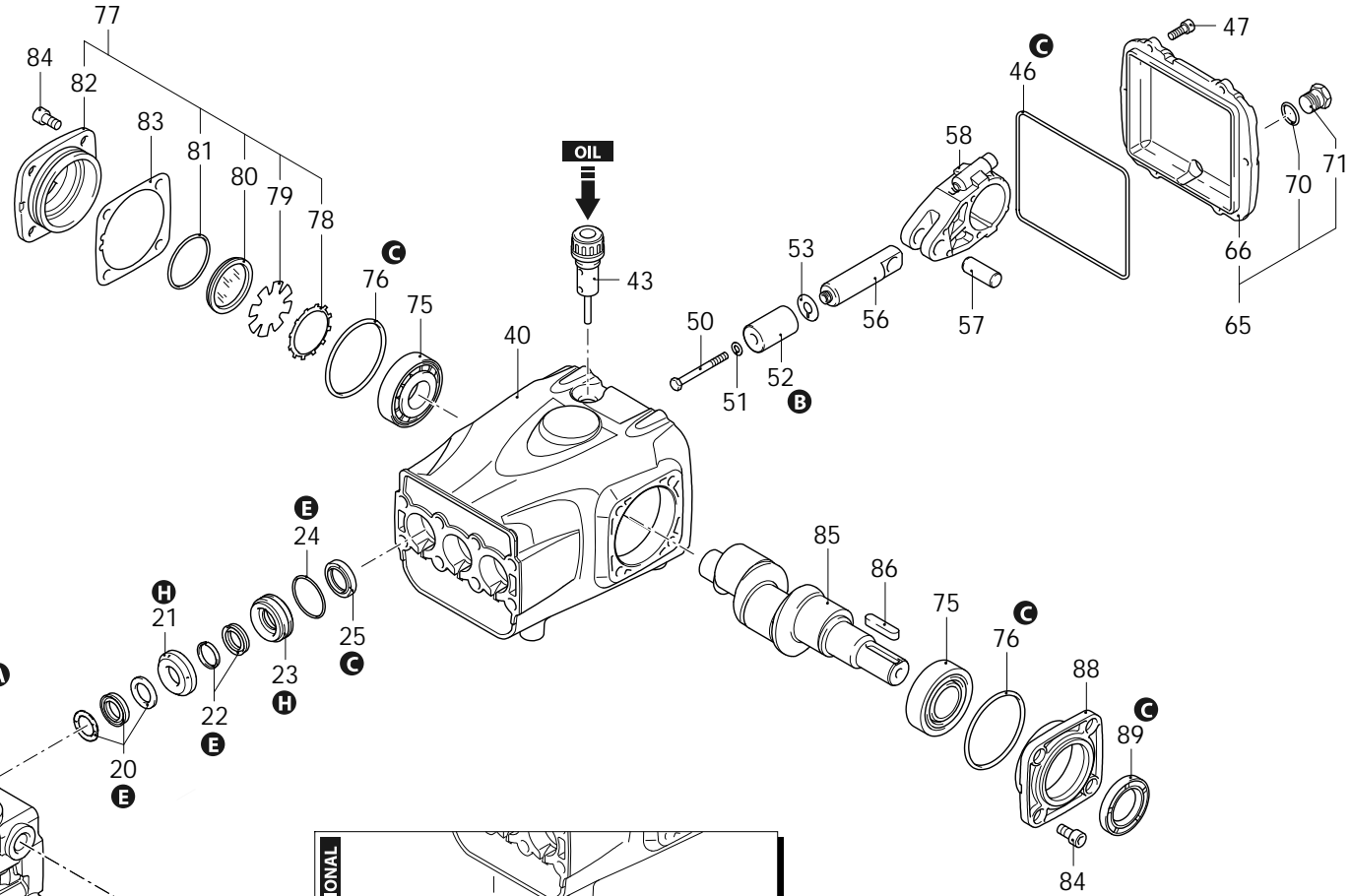
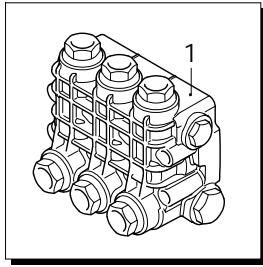


Series 402
SRG

N

1450rpm

ø 24mm



AR-1_000045_v01

15/12/2022



Series 402

SRG

N

1450rpm

ø 24mm

P	Code	Description	Q	Note	Validity	P	Code	Description	Q	Note	Validity
1	4029208	Head assembly	1	Ø 18		80	4020160	Level gauge	1		
2	4020340	Head	1			81	3680250	O-ring	1	Ø 45,69x2,62	
3	820361	Plug	1	1/2" G brass	C=40Nm	82	4020150	Cover	1		
4	180101	O-ring	1	Ø 17,5x2	Lubricate with grease Molykote PG54	83	4020100	Shim 0.05mm	1		
5	1980740	Plug	1	3/8" G brass	C=20Nm	83	4020110	Shim 0.10mm	1		
6	740290	O-ring	1	Ø 14x1,78	Lubricate with grease Molykote PG54	83	4020120	Shim 0.19mm	1		
9	1940940	Plug	6			83	4020130	Shim 0.25mm	1		
10	1941070	Ring	6	anti-extrusion		84	850370	Screw	8	TCEI M8x16	C=24,5Nm
11	1949051	Complete valve	6			85	1940980	Shaft	1	8 marked	
12	880830	O-ring	6	Ø 15,54x2,62		86	650250	Key	1		
20	1942700	Gasket	3		Lubricate with grease Molykote PG54	88	4020040	Cover	1	C=25Nm	
21	1942470	Piston guide	3	front Ø 18		89	820681	Ring	1	seal	Screw with Loxeal 55-14 / C=10Nm
22	1942690	Water seal	3		Lubricate with grease Molykote PG54	96	2748	Foot kit	1		
23	1942480	Piston guide	3	rear Ø 18		97	200231	Washer	4		
24	820490	O-ring	3	Ø 34,65x1,78		98	1940370	Foot	2		
25	1940560	Ring	3	seal		99	1940380	Screw	4	TCEI 10x18	C=50Nm
40	4020010	Pump body	1			A	2871	Valve kit	1		
41	1940260	Screw	8	TCEI M10x80	C=50Nm	B	2872	Piston kit	1	Ø 18	
42	650530	Washer	8			C	47083	Oil seal kit	1		
43	1140370	Plug	1			E	2874	Water seal kit	1	Ø 18	
46	1940410	O-ring	1	Ø 132x3		H	42120	Piston guide kit	1	Ø 18	
47	1200430	Screw	6	TCEI M6x16	Screw with Loxeal 55-14 / C=10Nm						
50	1941640	Screw	3	TE M6x60	Screw with Loxeal 55-14 / C=7Nm						
51	1340600	Washer	3								
52	1941020	Piston	3	Ø 18							
53	1383190	Plate	3								
56	1940960	Piston	3	guide							
57	1940060	Pin	3								
58	1940051	Connecting-rod	3	aluminium	Lubricate with grease Molykote BR2 PLUS / C=20Nm						
65	4029001	Cover	1	complete							
66	4020030	Cover	1								
70	740290	O-ring	1	Ø 14x1,78	Lubricate with grease Molykote PG54						
71	1980740	Plug	1	3/8" G brass	C=20Nm						
75	1140410	Bearing	2								
76	1941380	O-ring	2	Ø 66,34x2,62							
77	4029000	Cover	1	complete							
78	4020080	Ring	1								
79	4020070	Plate	1								

Revision: 1

Oil type: SAE 15W40

Attachment:

Date: 15/12/2022

Oil quantity: 0,960 Kg

C=Tightening torque (Tolerance +0 ÷ -10%)