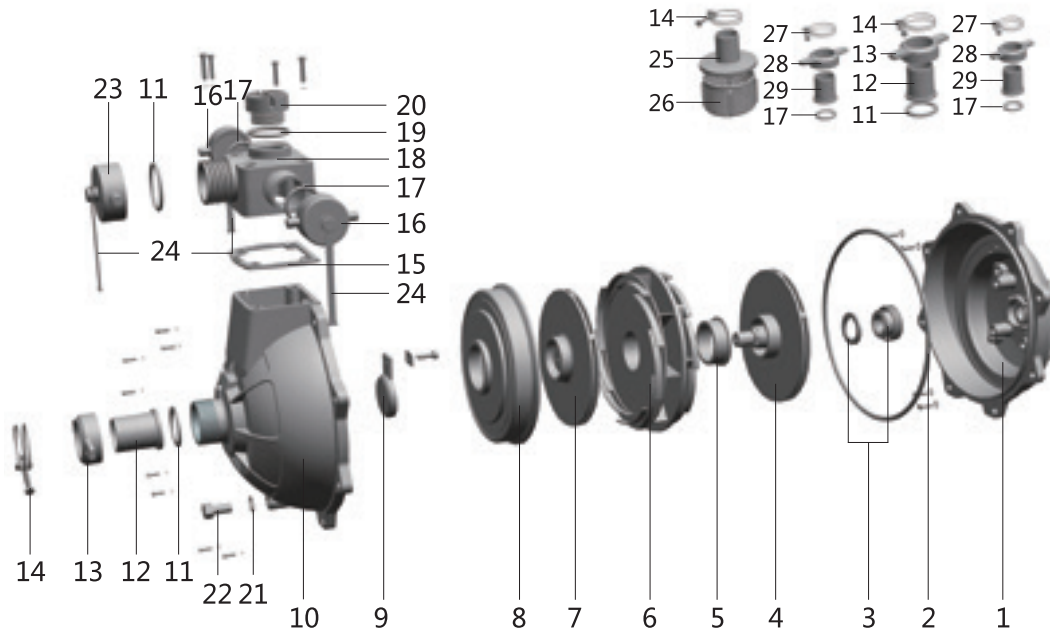




### Model: HP15DUAL - 1½” Twin Impeller Transfer Pump (Fire Fighter)



Postion	Qty	Description
1	1	Pump Cover (Back Plate)
2	1	Pump Casing O-Ring
3	1	Mechanical Seal
4	1	Impeller #1
5	1	Volute Bush
6	1	Dual Volute
7	1	Impeller #2
8	1	Impeller Cover
9	1	Check Valve
10	1	Pump Body (Front Bowl)
11	3	Inlet Gasket
12	3	Hose Tail
13	3	Hose Tail Locking Ring
14	3	Hose Clamp
15	1	Outlet Gasket
16	1	1” Poly Cap
17	1	1” Gasket
18	1	Outlet Flange
19	1	Plug O-Ring
20	3	Plug
21	1	Copper Washer
22	1	Drain Screw
23	1	1½” Poly Cap
24	1	Rubber Cap Rope
25	2	Filter Cover
26	2	Filter Baskets
27	2	1” Hose Tail
28	2	1” Hose Tail Locking Ring
29	2	1” Clamp