

**PUMPS AUSTRALIA** Pty  
Ltd

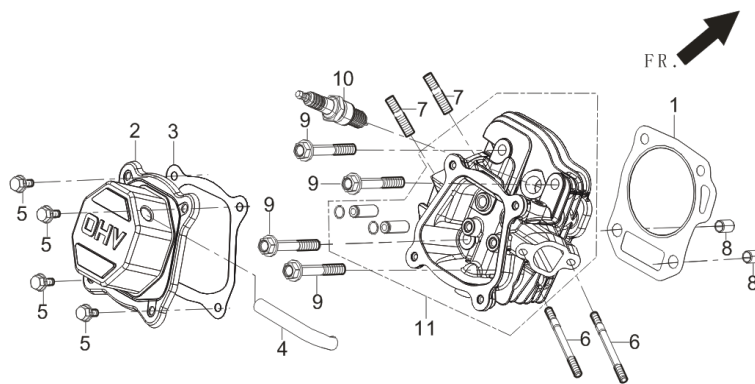


# EUROTEC ET70

7HP Petrol Engine  
Parts Breakdown

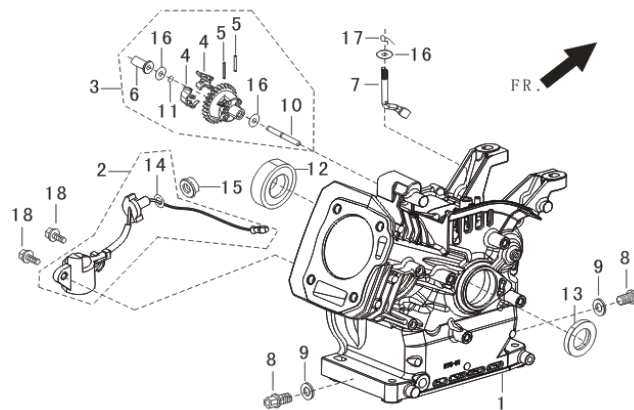
## R210 GASOLINE ENGINE

**FIG.1 HEAD SUBASSEMBLY, CYLINDER / PLUG, SPARK**



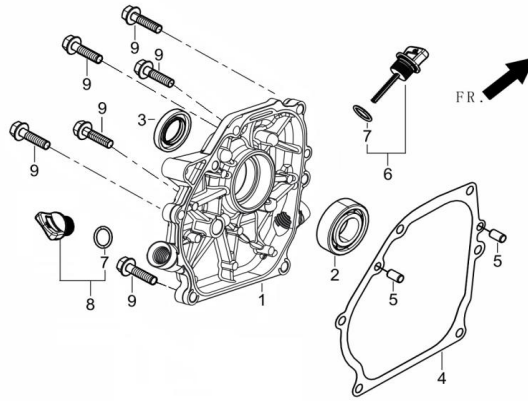
REF.NO.	PART NO	DESCRIPTION	Q'TY	
E01-1	12131-Z530120-0000	GASKET, CYLINDER HEAD	1	
E01-2	12410-Z440210-0099	COVER SUBASSEMBLY, CYLINDER HEAD	1	
E01-3	12004-Z440210-0000	GASKET, CYLINDER HEAD COVER	1	
E01-4	17004-Z010310-0000	TUBE, BREATHER	1	
E01-5	90001-0612-01	BOLT	4	
E01-6	90204-Z010310-0000	STUD	2	
E01-7	90203-Z010110-0000	STUD	2	
E01-8	90502-1114-00	PIN	2	
E01-9	12003-Z010110-0000	BOLT, CYLINDER HEAD	4	
E01-10	30010-Z010210-0000	PLUG, SPARK	1	
E01-11	12140-Z440310-0000	HEAD SUBASSEMBLY, CYLINDER	1	

**FIG.2 CRANKCASE. / GEAR ASSY, GOVERNOR.**



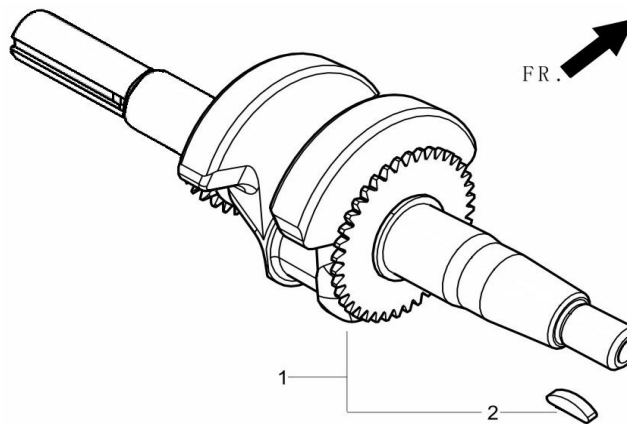
REF.NO.	PART NO	DESCRIPTION	Q'TY	
E02-1	11310-Z530210-0000	CRANKCASE SUBASSEMBLY.	1	
E02-2	37060-Z010120-0000	SENSOR, ENGINE OIL	1	
E02-3	16400-Z010110-0000	GEAR ASSY, GOVERNOR	1	
E02-7	16061-Z010110-0000	ARM, GOVERNOR	1	
E02-8	11007-Z010110-0000	BOLT, DRAIN PLUG	2	
E02-9	90408-Z010110-0000	WASHER	2	
E02-12	90547-0205-KS	BEARING	1	
E02-13	90682-Z300110-0000	SEAL, OIL	1	
E02-15	90305-Z010210-01	NUT	1	
E02-16	90408-Z010210-0000	WASHER	1	
E02-17	90501-Z010110-0000	PIN	1	
E02-18	90001-0614-01	BOLT	2	

**FIG.3 COVER SUBASSEMBLY, CRANKCASE**



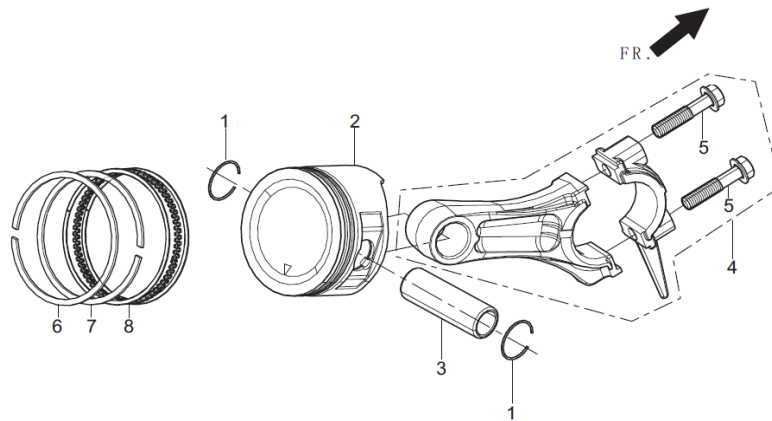
REF.NO.	PART NO	DESCRIPTION	Q'TY
E03-1	11411-Z440310-0000	COVER, CRANKCASE	1
E03-2	90547-0205-KS	BEARING	1
E03-3	90682-Z300110-0000	SEAL, OIL	1
E03-4	11001-Z440110-0000	GASKET, CRANKCASE	1
E03-5	90502-0912-00	PIN	2
E03-6	15010-Z010120-Q500	DIPSTICK SUBASSEMBLY, OIL	1
E03-8	15030-Z010120-Q500	PLUG SUBASSEMBLY, ENGINE OIL	1
E03-9	90001-0832-01	BOLT	6

**FIG.4 ROD,CRANKSHAFT CONNETING**



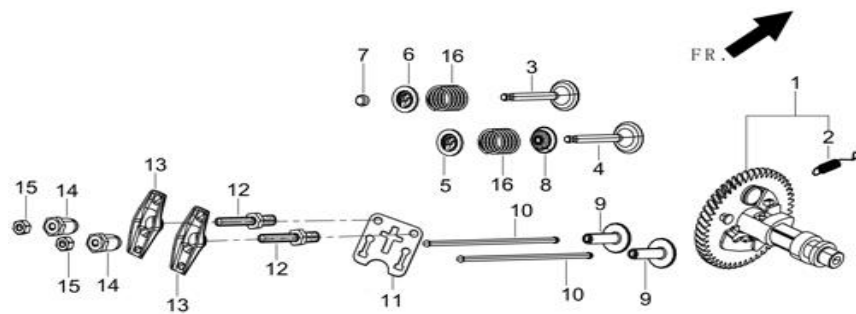
REF.NO.	PART NO	DESCRIPTION	Q'TY
E04-1	13300-Z530210-0000	CRANKSHAFT ASSY.	1

**FIG.5 RING SET,OIL / ROD,CRANKSHAFT CONNETING**



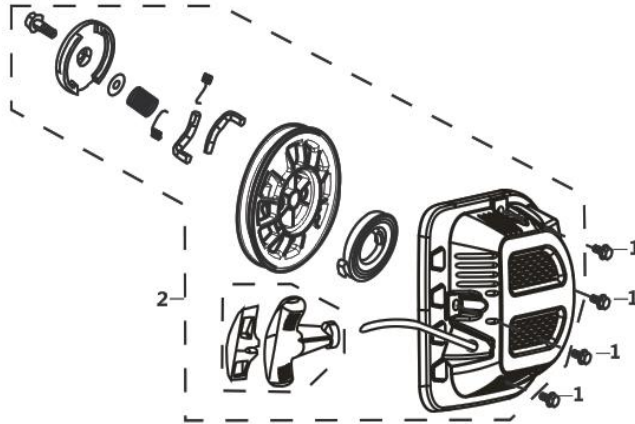
REF.NO.	PART NO	DESCRIPTION	Q'TY
E05-1	13122-Z010110-0000	CLIP, PISTON PIN	2
E05-2	13111-Z860110-0000	PISTON	1
E05-3	13121-Z010110-0000	PIN, PISTON	1
E05-4	13010-Z440110-0000	ROD, CONNECTING	1
E05-6	13201-Z860110-0000	RING, THE FIRST	1
E05-7	13202-Z860110-0000	RING, THE SECON	1
E05-8	13210-Z860110-0000	RING SET, OIL	1

**FIG.6 TRAIN,VALVE / CAMSHAFT SUBASSEMBLY**



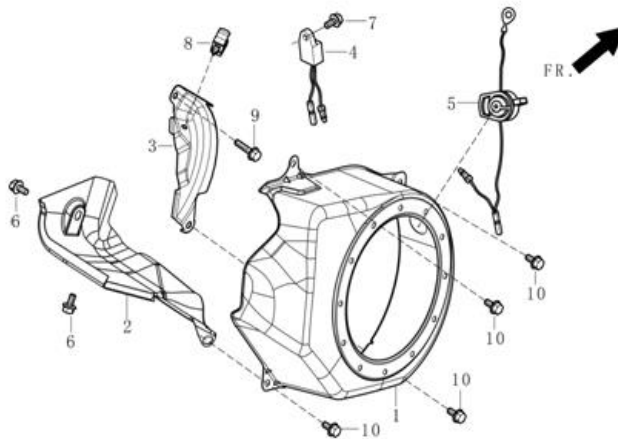
REF.NO.	PART NO	DESCRIPTION	Q'TY
E06-1	14200-Z440110-0000	CAMSHAFT ASSY.	1
E06-3	12121-Z010120-0000	VALVE, EXHAUST	1
E06-4	12111-Z010110-0000	VALVE, INTAKE	1
E06-5	12112-Z010110-0000	SEAT, VALVE SPRING	1
E06-6	12107-Z010110-0000	RETAINER, EXHAUST VALVE	1
E06-7	12104-Z010110-0000	ROTATOR, VALVE	1
E06-8	12101-Z010110-0000	GUIDE, SEAL	1
E06-9	14081-Z440110-0000	TAPPET, VALVE	2
E06-10	14071-Z440110-0000	LIFTER, VALVE	2
E06-11	14090-Z010110-0000	PLATE SUBASSEMBLY, LIFTER STOPPER	1
E06-12	14313-Z010110-0000	BOLT, VALVE ADJUSTING	2
E06-13	14311-Z010110-0000	ROCKER, VALVE	2
E06-14	14314-Z010110-0000	NUT, VALVE ADJUSTING	2
E06-15	14312-Z010110-0000	NUT, VALVE LOCK	2
E06-16	12103-Z010110-0000	SPRING, VALVE	2

**FIG.7 STARTER,RECOIL**



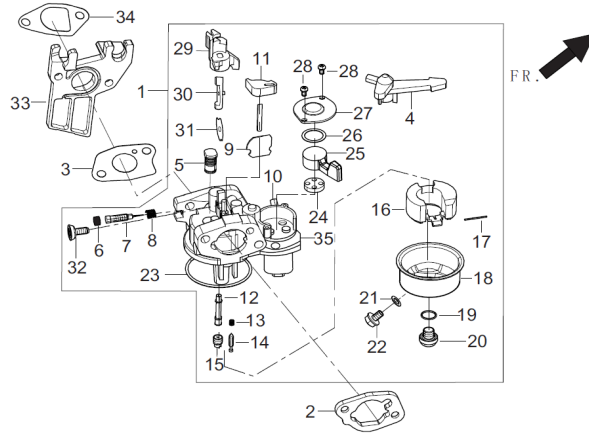
REF.NO.	PART NO	DESCRIPTION	Q'TY
E07-1	90001-0612-01	BOLT	4
E07-2	28200-Z010310-Q200	STARTER ASSY, RECOIL	1

**FIG.8 SHROUD / SHIELD,LOWER**



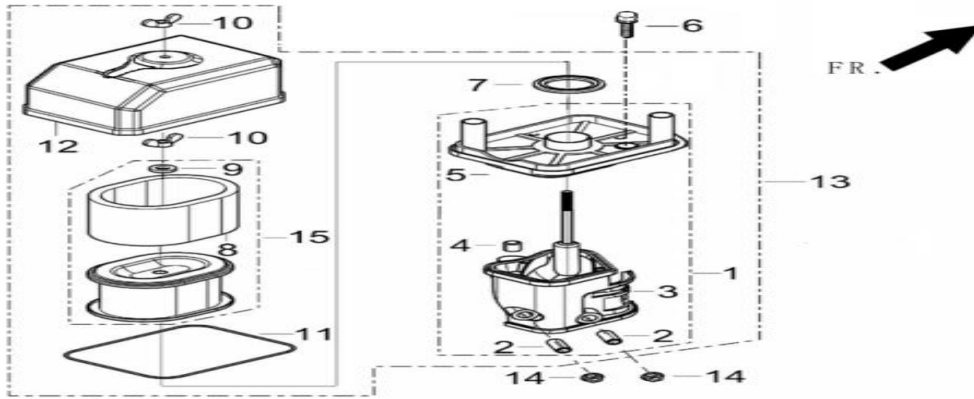
REF.NO.	PART NO	DESCRIPTION	Q'TY
E08-1	28110-Z010410-H300	SHROUD	1
E08-2	19304-Z010110-0000	SHROUD, CYLINDER BODY	1
E08-3	19340-Z010120-0000	SHIELD,LOWER	1
E08-4	37050-Z010210-0000	PROTECTOR, OIL	1
E08-5	35540-Z060120-Q200	SWITCH SUBASSEMBLY, STOP ENGINE	1
E08-6	90001-0610-01	BOLT	2
E08-7	90001-0610-01	BOLT	1
E08-8	90740-Z010110-0000	COLLAR	1
E08-9	90001-0616-01	BOLT	1
E08-10	90001-0612-01	BOLT	4

**FIG.9 CARBURETOR ASSY.**



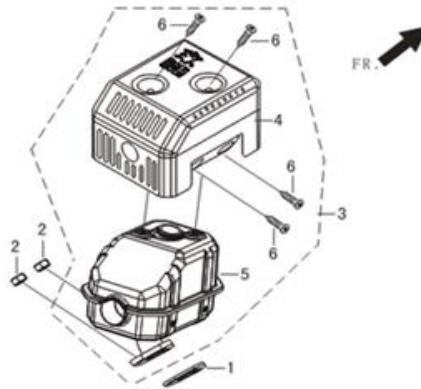
REF.NO.	PART NO	DESCRIPTION	Q'TY
E09-1	16100-Z040610-0000	CARBURETOR ASSY.	1
E09-2	17001-Z010210-0000	GASKET, AIR CLEANER	1
E09-3	16001-Z010110-0000	GASKET, CARBURETOR	1
E09-33	16003-Z010110-0000	PLATE, CARBURETOR INSULATOR	1
E09-34	16002-Z050110-0000	GASKET, CARBURETOR INSULATOR	1

**FIG.10 CLEANER, AIR**



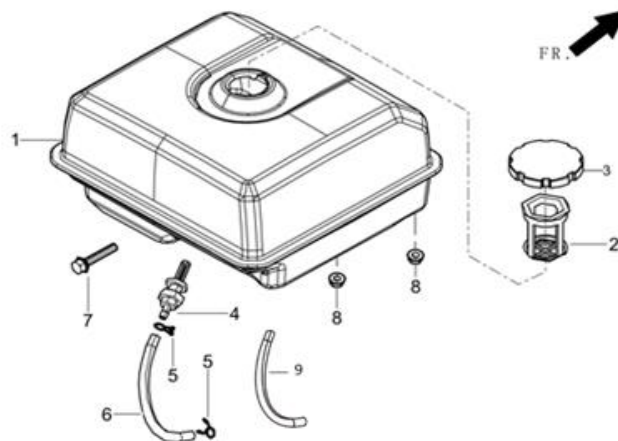
REF.NO.	PART NO	DESCRIPTION	Q'TY
E10-13	17100-Z010210-0000	CLEANER, AIR	1
E10-14	90305-0600-31	NUT	2
E10-15	17150-Z010110-0000	ELEMENT, AIR CLEANER	1

**FIG.11 MUFFLER ASSY.**



REF.NO.	PART NO	DESCRIPTION	Q'TY
E11-1	18001-Z440110-0000	GASKET, EXHAUST OUTLET	1
E11-2	90303-0800-31	NUT	2
E11-3	18100-Z440110-0000	MUFFLER ASSY	1

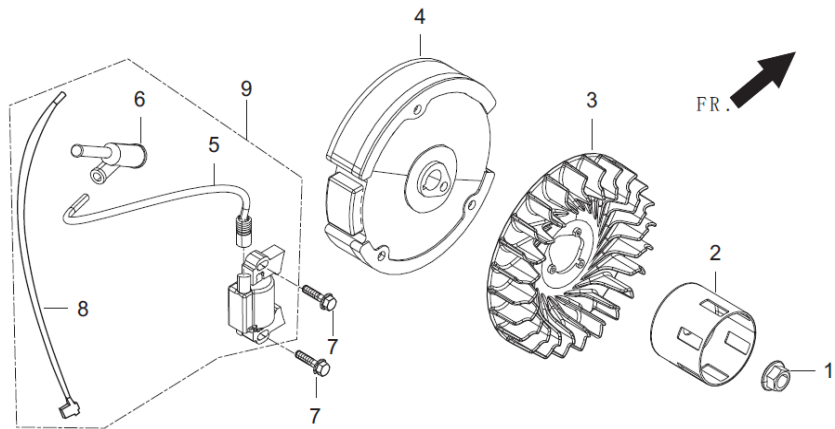
**FIG.12 TANK ASSY, FUEL**



REF.NO.	PART NO	DESCRIPTION	Q'TY
E12-1	16620-Z440120-H300	TANK, FUEL	1
E12-2	16652-Z010610-0000	STRAINER, FUEL	1
E12-3	16730-Z440120-0000	COVER, FUEL TANK	1
E12-4	16680-Z010110-0000	OUTLET SUBASSEMBLY, FUEL TANK OIL	1
E12-5	90740-Z010210-0000	COLLAR	2
E12-6	90686-Z010710-0000	TUBE, FUEL	1
E12-7	90001-0630-01	BOLT	1
E12-8	90305-0600-31	NUT	2
E12-9	30431-Z010110-0000	JACKET, RUBBER	1

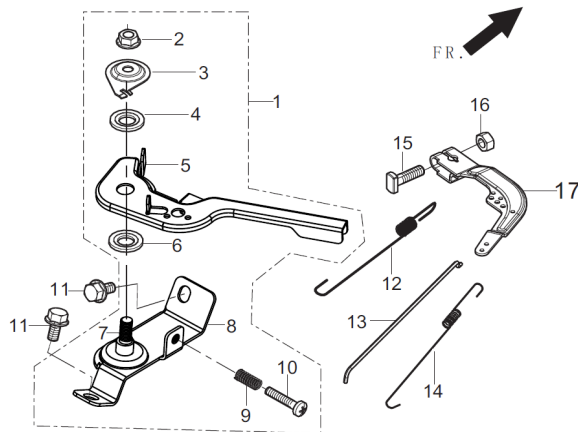


**FIG.13 FLYWHEEL / IMPELLER / STARTER PULLEY / IGNITION COIL**



REF.NO.	PART NO	DESCRIPTION	Q'TY
E13-1	13501-Z010110-0000	NUT, FLYWHEEL	1
E13-2	28002-Z300210-0000	PULLEY, STARTER	1
E13-3	19352-Z440110-0000	IMPELLER	1
E13-4	13510-Z440110-0000	FLYWHEEL SUBASSEMBLY	1
E13-7	90001-0625-01	BOLT	2
E13-9	30400-Z010210-0000	COIL, IGNITION	1

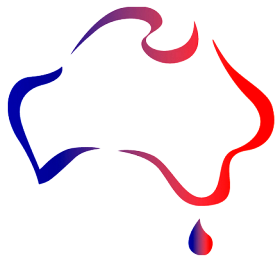
**FIG.14 CONTROL ASSY, THROTTLE**



REF.NO.	PART NO	DESCRIPTION	Q'TY
E14-1	16520-Z440110-0000	CONTROL ASSY, THROTTLE	1
E14-11	90001-0610-01	BOLT	2
E14-12	16063-Z050120-0000	SPRING, GOVERNOR	1
E14-13	16062-Z010110-0000	ROD, GOVERNEOR	1
E14-14	16012-Z010110-0000	SPRING, THROTTLE VALVE RETURNING	1
E14-15	16072-Z010110-0000	BOLT, GOVERNOR SUPPORT	1
E14-16	90305-0600-31	NUT	1
E14-17	16070-Z010110-0000	SUPPORT SUBASSEMBLY, GOVERNOR	1

# ***EUROTEC ENGINES***

***Exclusive to:***



***PUMPS AUSTRALIA*** Pty Ltd

---

PH: 1800 790 915  
212 Welshpool Road, Welshpool WA 6106

## **EUROTEC ET70**

7HP Petrol Engine  
Parts Breakdown