

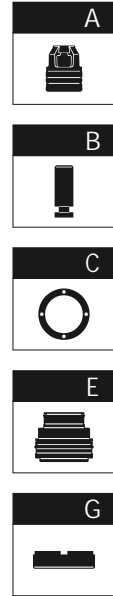
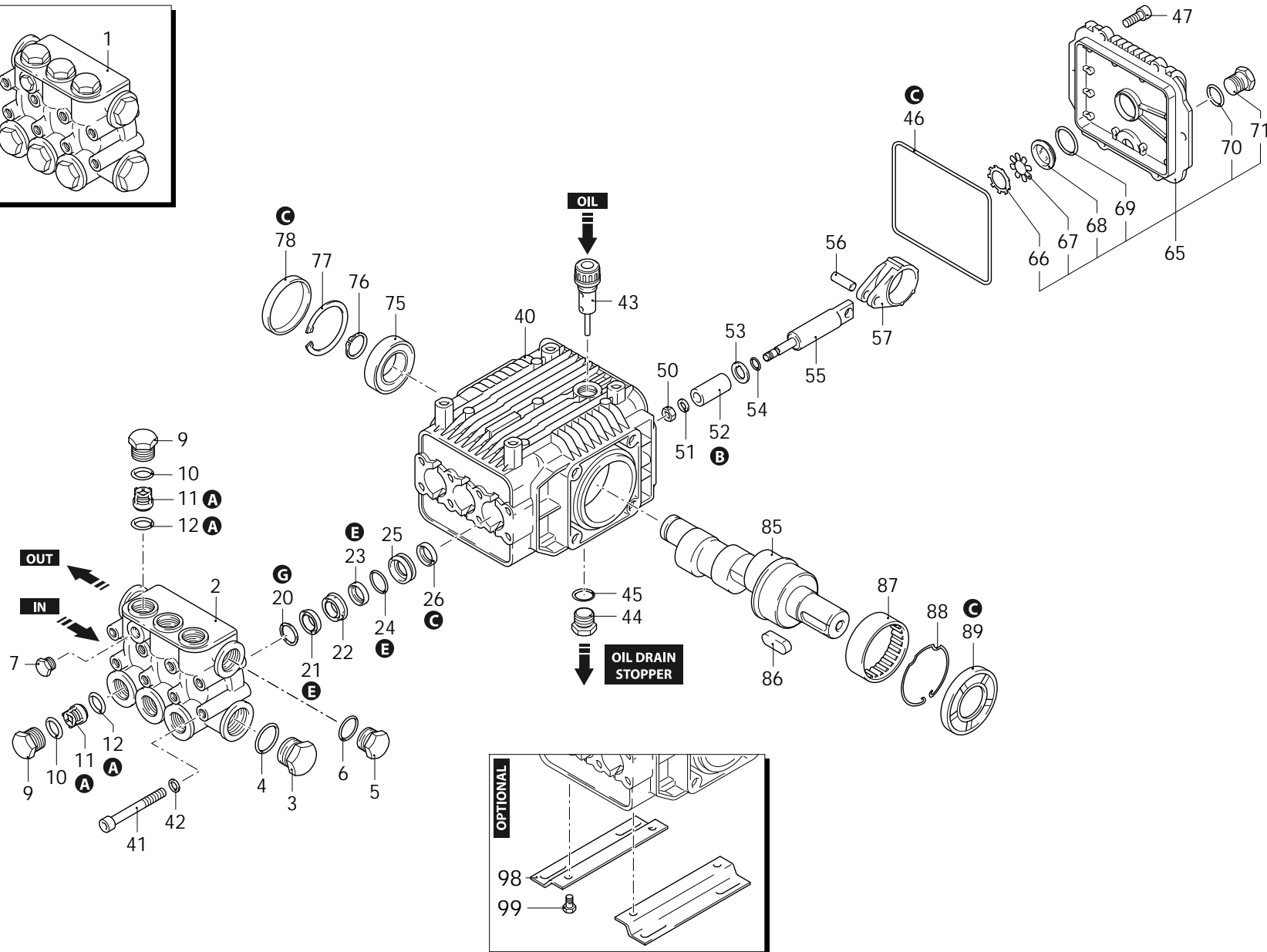
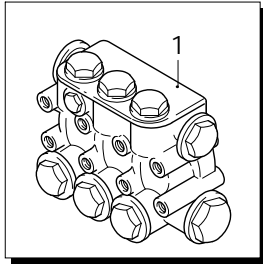


Series 178
XM-M

N

1450rpm

ø 24mm



AR-1_000002_v01

29/11/2021



Series 178
XM-M

N

1450rpm

Ø 24mm

P	Code	Description	Q	Note	Validity	P	Code	Description	Q	Note	Validity
1	1789200	Head assembly	Ø 15	1		69	1140450	O-ring	Ø 20,24x2,62	1	Lubricate with grease Molykote PG54
2	1780380	Head		1		70	740290	O-ring	Ø 14x1,78	1	Lubricate with grease Molykote PG54
3	820361	Plug	1/2" G brass	1	C=40Nm	71	1980740	Plug	3/8" G brass	1	C=20Nm
4	180101	O-ring	Ø 17,5x2	1	Lubricate with grease Molykote PG54	75	1780490	Bearing		1	
5	1980740	Plug	3/8" G brass	1	C=20Nm	76	1780550	Ring	seeger Øe 20	1	
6	740290	O-ring	Ø 14x1,78	1	Lubricate with grease Molykote PG54	77	1260790	Ring	seeger Øi 52	1	
7	620301	Plug	1/8" G	1	Screw with Loxeal 55-14	78	1266740	Cover		1	
9	1260160	Plug		6	Screw with Loxeal 55-14 / C=50Nm	85	1781420	Shaft	18 marked	1	
10	960160	O-ring	Ø 17,86x2,62	6	Lubricate with grease Molykote PG54	86	1380520	Key		1	
11	1269050	Complete valve		6		87	1321190	Bearing		1	Assemble with tool [1780610]
12	880830	O-ring	Ø 15,54x2,62	6		88	1321080	Ring		1	
20	1780130	Ring	support Ø 15	3		89	1260750	Ring	seal	1	Assemble with tool [1941990]
21	1260130	Water seal	Ø 15	3	Lubricate with grease Molykote PG54	98	1380141	Foot		2	C=20Nm
22	1780090	Piston guide	front Ø 15	3		99	1263130	Screw	TE M8x12	4	C=20Nm
23	1260440	Water seal	Ø 15	3	Lubricate with grease Molykote PG54	A	1864	Valve kit		1	
24	770260	O-ring	Ø 23,52x1,78	3		B	2739	Piston kit	Ø 15	1	
25	1780100	Piston guide	rear Ø 15	3		C	2786	Oil seal kit		1	
26	1260460	Oil seal		3		E	2741	Water seal kit	Ø 15	1	
40	1780010	Pump body		1		E	2776	Water seal kit	Ø 15 Viton	1	
41	1322730	Screw	TCEI M6x60	8	C=15Nm	G	2740	Support ring kit	Ø 15	1	
42	1381550	Washer		8							
43	880130	Plug		1							
44	1980740	Plug	3/8" G brass	1	C=20Nm						
45	740290	O-ring	Ø 14x1,78	1	Lubricate with grease Molykote PG54						
46	1780510	O-ring	Ø 106x3	1							
47	1200430	Screw	TCEI M6x16	6	Screw with Loxeal 55-14 / C=10Nm						
50	1260110	Nut	M8	3	Screw with Loxeal 55-14 / C=12Nm						
51	1260100	Washer		3							
52	1780070	Piston	Ø 15	3	Lubricate with grease Molykote PG54						
53	1260091	Plate		3							
54	480480	O-ring	Ø 4,48x1,78	3							
55	1780060	Piston	guide	3							
56	1780050	Pin		3							
57	1780040	Connecting-rod	aluminium	3	Lubricate with grease Molykote BR2 PLUS						
65	1789010	Cover	complete	1							
66	1260430	Ring		1							
67	1780690	Plate		1							
68	1260250	Level gauge		1							

Revision: 1

Oil type: SAE 15W40

Attachment:

Date: 29/11/2021

Oil quantity: 0,415 Kg

C=Tightening torque (Tolerance +0 ÷ -10%)